

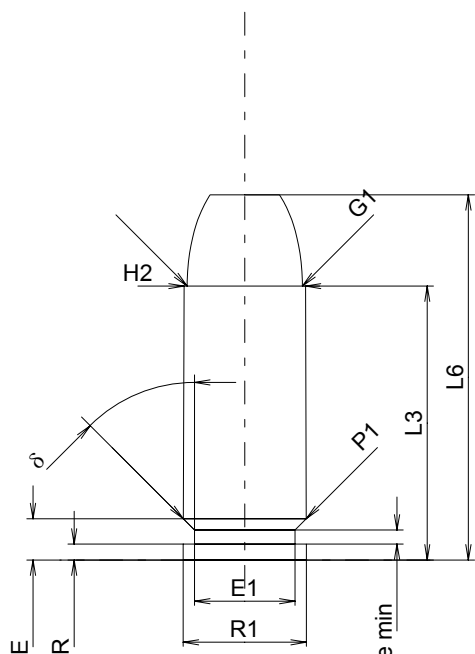
**C.I.P.****10 mm FAR**

TAB. IV

Date 00-09-15

Country of Origin: IT

Revision

**CARTRIDGE MAXI****Lengths**

L1	=		
L2	=		
L3 <sup>1)</sup>	=	24.15	-0.25
L4	=		
L5	=		
L6	=	32.20	

**Case Head**

R	=	1.40	
R1	=	10.85	
R3	=		
E	=	3.64	
E1	=	8.85	
e min	=	1.25	
δ	=	45°	
f	=		
β	=	45°	

**Powder Chamber**

P1	=	10.83	
P2	=		

**Junction Cone**

α	=		
S	=		
r1 min	=		
r2	=		

**Collar**

H1	=		
H2 <sup>1)</sup>	=	10.70	

**Projectile**

G1 <sup>1)</sup>	=	10.17	
G2	=		
F	=		
L3+G <sup>1)</sup>	=	32.98	

**Pressures (Energies)****Method Transducer**

Pmax	=	2250 bar	
PK	=	2590 bar	
PE	=	2925 bar	
M	=	12.50	

**Miscellaneous Dimensions**

Fe <sup>1)</sup>	=	0.30	
delta L	=		

**CHAMBER MINI****Lengths**

L1	=		
L2	=		
L3 <sup>1)</sup>	=	24.15	

**Breech**

R	=		
R1	=	10.88	
R2	=		
R3	=		
r	=		

**Powder Chamber**

E	=	5.08	
P1 <sup>1)</sup>	=	10.86	
P2	=		

**Junction Cone**

α	=		
S	=		
r1 max	=		
r2	=		

**Collar**

H1	=		
H2 <sup>1)</sup>	=	10.77	

**Commencement of Rifling**

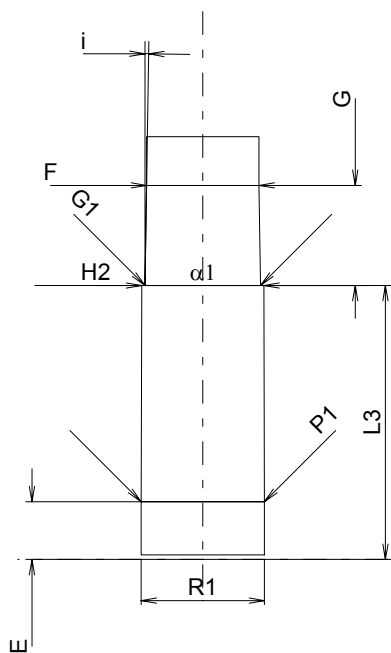
G1 <sup>1)*</sup>	=	10.19	
G <sup>1)*</sup>	=	8.83	
α1	=	180°	
h	=		
s	=		
i <sup>1)</sup>	=	0°54'29"	
w	=		

**Barrel**

F <sup>1)*</sup>	=	9.91	
Z <sup>1)</sup>	=	10.17	

**Grooves**

b	=	3.05	
N	=	6	
u	=	406.00	
Q	=	79.55	mm <sup>2</sup>



Scale 1.5:1

Dimensions in << mm >>  
Dimensions and Tolerances for Proof Barrels  
see Appendix CR 1.

Notes: 1) Check for safety reasons  
\* Basic dimensions